



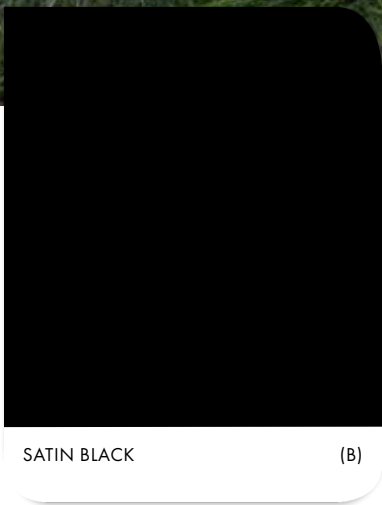
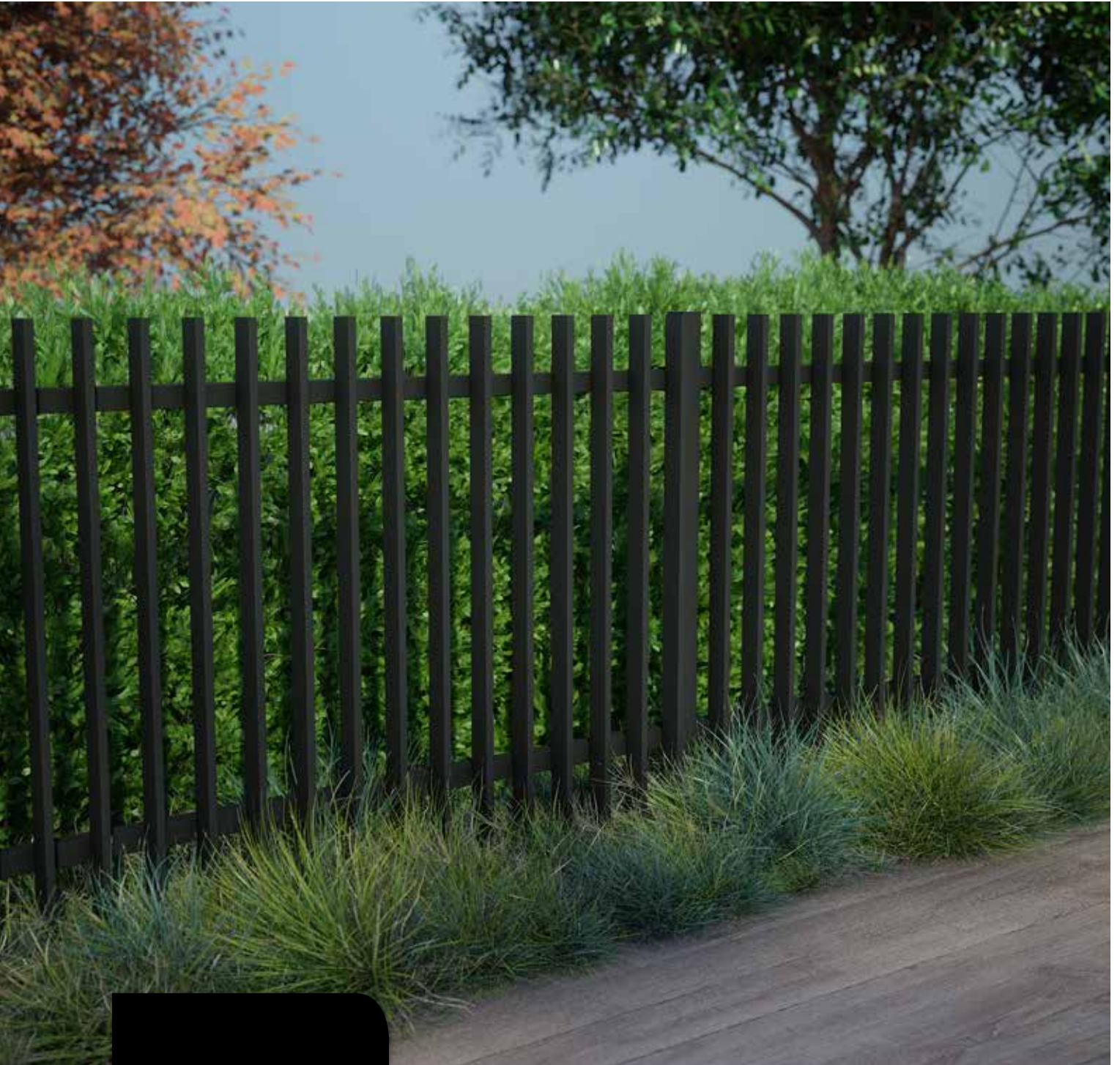
BLADE FENCING



The essentials.

| | |
|--|---|
| <p>PAGE 4 Introduction</p> | <p>PAGE 6 Overview</p> |
| <p>PAGE 8 Panels & Gates</p> | <p>PAGE 11 Posts</p> |
| <p>PAGE 15 Accessories</p> | <p>PAGE 22 Hinges & Latches</p> |





Our colour range

BLADE is stocked in popular Satin Black powder coat finish. Satin black continues to be the consistent colour palate for balustrade and fencing, seamlessly integrating into a variety of backgrounds.

Genuine Akzo Nobel powder is used to ensure a premium and long lasting powder coat finish.

Note: Colours displayed are a guide only



BLADE IS HERE...

REDEFINING ALUMINIUM FENCING EXCELLENCE

Meet **BLADE**, our latest innovation in stylish, durable aluminium fencing. Designed with a contemporary aesthetic, **BLADE** features sleek 50x16mm vertical pickets welded to robust 40x40mm horizontal rails. Finished in satin black, this fencing solution offers a striking visual appeal while ensuring compliance with pool fencing regulations, seamlessly combining safety with sophisticated design.

KEY FEATURES OF BLADE FENCING

Sleek Design and Robust Construction:

- Elegant 50x16mm vertical pickets welded to 40x40mm horizontal rails.
- Satin black powder coating for a modern, resilient finish.
- Matching 975mm wide gate available, with converters for custom-width gates.

Versatile Applications:

- 1200mm high pool fencing compliant providing safety without compromising style as well as ideal for boundary fence applications.
- Available in 1000mm height for boundary fencing, offering flexible installation options.
- Complete range of posts and brackets available to suit various installation needs.

DISTINCTIVE VERTICAL PICKETS:

Batten-style fencing is increasingly popular among those seeking to balance privacy, style, and functionality. **BLADE**'s vertical balusters capture this look perfectly, providing a sophisticated and streamlined appearance. The design allows for ample light and airflow while maintaining privacy and security.

EVOLUTION IN FENCING TECHNOLOGY

Aluminium fencing has long been a preferred choice for property owners seeking durability, aesthetic appeal, and low maintenance. **BLADE** elevates this standard, incorporating innovative design and enhanced functionality, making it an ideal solution for contemporary landscapes and architectural styles.

DURABILITY THAT LASTS

One of the key advantages of **BLADE** aluminium fencing is its exceptional durability. Aluminium is renowned for its resistance to corrosion, making it an excellent choice for outdoor applications. Unlike traditional wood fences that can warp, rot, or require regular painting and sealing, **BLADE** fencing retains its appearance and structural integrity with minimal maintenance. This resilience ensures that the fence will look great and perform well for many years, even in harsh weather conditions.

ENVIRONMENTAL SUSTAINABILITY

Environmental considerations are at the heart of **BLADE**'s appeal. Aluminium is a sustainable material that can be recycled indefinitely without losing its properties. The production of aluminium fencing typically involves fewer pollutants and less energy consumption than other materials, making **BLADE** an eco-friendly choice for environmentally conscious consumers.

A NEW STANDARD IN FENCING

BLADE aluminium fencing represents a significant advancement in fencing solutions, combining modern aesthetics with practical benefits. Its durability, low maintenance, versatility, environmental sustainability, and robust construction make it an excellent choice for a wide range of applications. As property owners continue to seek fencing options that are both functional and stylish, **BLADE** is poised to become a leading choice in the market.

BLADE CONFIGURATIONS

01 **BLADE Core Drill**

50x50mm core drill posts featuring
BLADE panels at 1200mm or 1000mm high



02 **BLADE Base Plated**

50x50mm base plated posts featuring
BLADE panels at 1200mm or 1000mm high



03 **BLADE Face Mount**

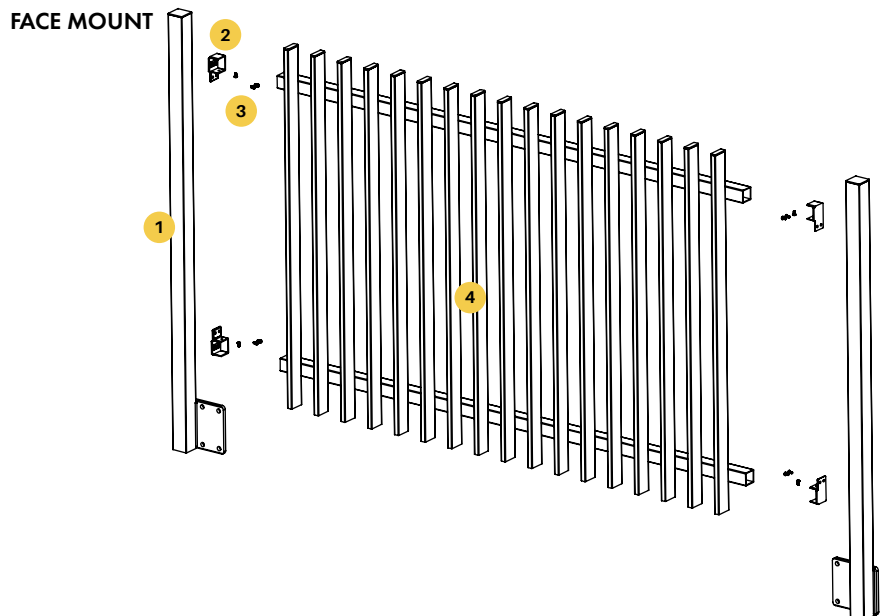
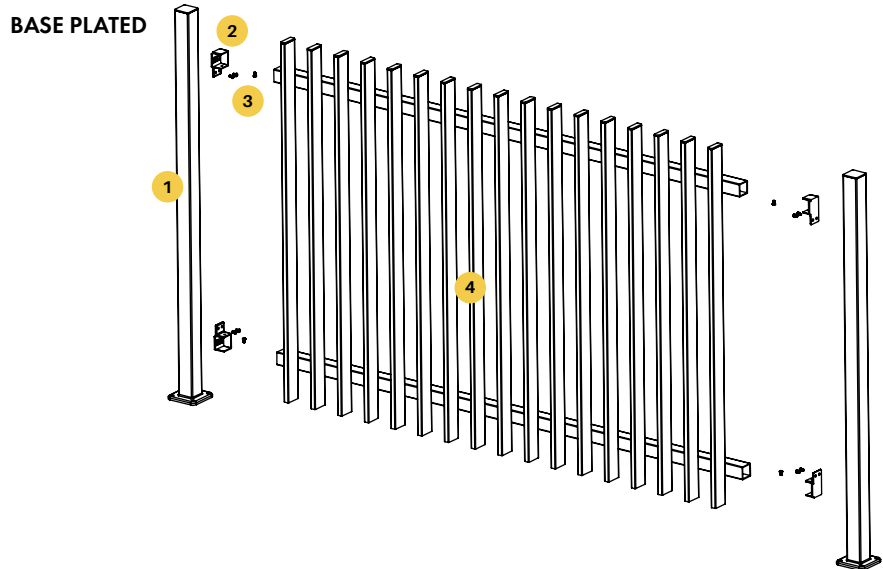
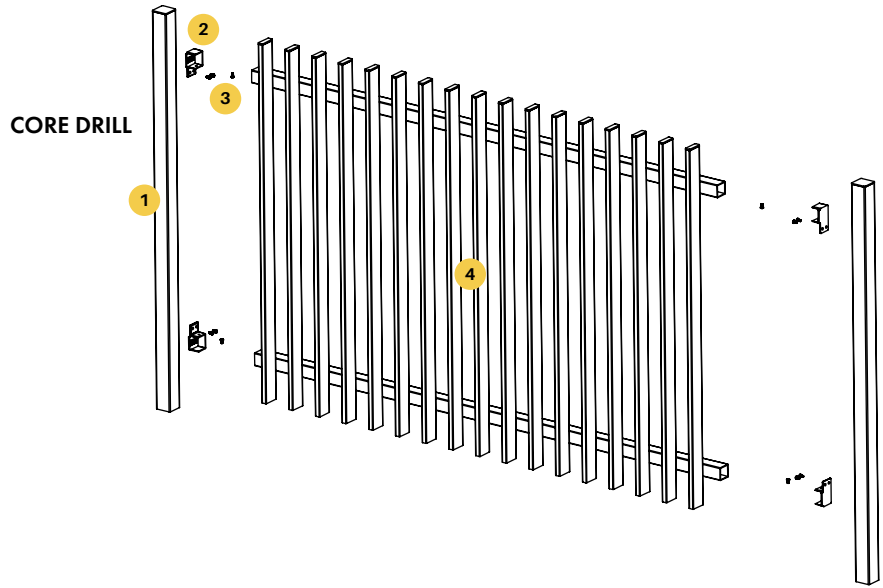
50x50mm face mount posts featuring
BLADE panels at 1200mm or 1000mm high





BLADE CONFIGURATIONS

- 1 50x50mm posts: Core drill, base plated or face mount
- 2 Brackets (one side open for easy panel insertion)
- 3 Fixing screws (to posts and panel rails)
- 4 1000mm or 1200mm high BLADE panels





BLADE FENCING – 1200MM HIGH

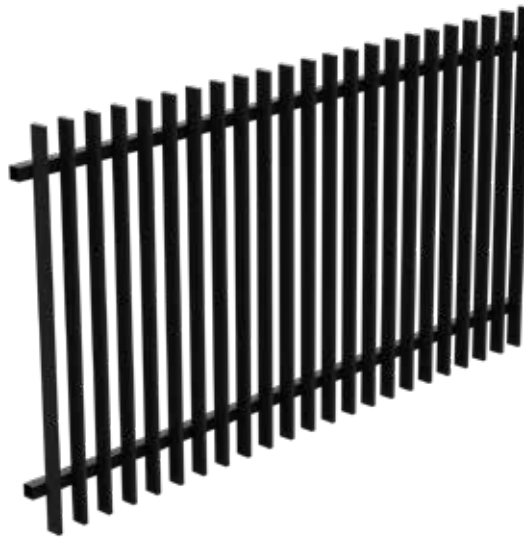
BLADE Panel

1200MM H x 2200mm W

Satin Black finish

Order Code: **BLA-PNL-2200-1200-B**

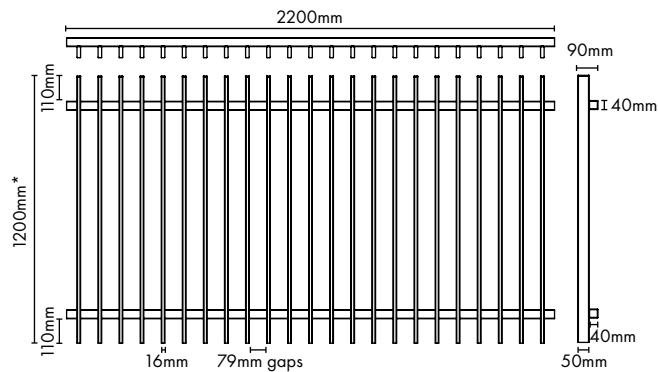
- 50mmx16mm RHS pickets face welded to 40x40x2.4mm horizontal rails
- 4 x weld points per picket
- Aluminium alloy 6061 T6
- 79mm gap spacing between pickets
- Caps pre-inserted into pickets
- Pool fencing compliant to AS1926.1
- Panel easily cut down in width if required



FINISHES



BLACK



*4mm cap is inserted at top providing overall height of 1204mm

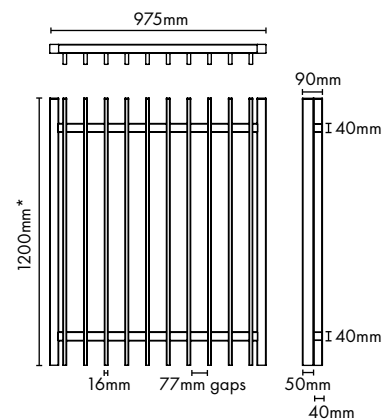
BLADE Gate

1200MM H x 975MM W

Satin Black finish

Order Code: **BLA-GATE-0975-1200-B**

- 50mmx16mm RHS pickets face welded to 40x40x2.4mm SHS frame (horizontal rails & side stiles)
- 4 x weld points per picket
- Aluminium alloy 6061 T6
- 77mm gap spacing between pickets
- Pool fencing compliant
- Caps pre-inserted into pickets & side stiles



*4mm cap is inserted at top providing overall height of 1204mm

FINISHES



BLACK



GATE CONVERTER

MAKE GATES TO REQUIRED WIDTH WITH GATE CONVERTERS

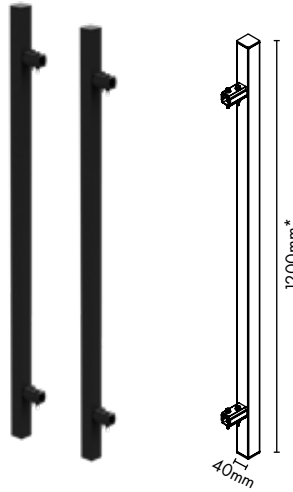
Blade gate converter

1200MM H

Satin Black finish

Order Code: **BLA-1200-GC-2PK-B**

- Easily convert a 1200mm high BLADE panel into a pedestrian gate
 - Gate converter stiles are 40x40mm which matches fully welded BLADE pedestrian gates
 - Aluminium alloy 6061 T6
 - Simply adjust panel to required width, place converters both sides and fix off
 - Bolt/nuts are included and are colour matched
 - Drill jig included to enable easy and exact hole drilling in panel horizontal rails
 - Top & bottom caps included
 - Sold as a pair (for left & right side of gate)
- (gate converter not available for 1000mm H panels)*



*4mm cap is inserted at top & bottom providing overall height of 1208mm

FINISHES



BLACK

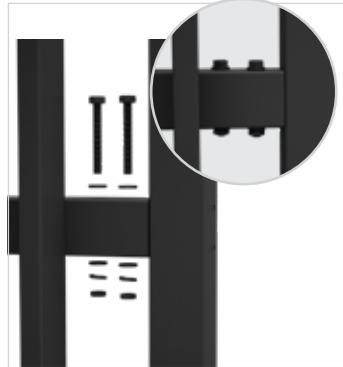
HOW TO



1 Cut panel to required width.
NOTE: ensure minimum of 20mm of horizontal rail remains both sides past pickets for attaching of converters.



2 Insert panel ends into converter and drill through guide holes provided by drill jig.



3 Fix off converters both sides with nut/bolts provided.



4 Completed gate.





BLADE FENCING – 1000MM HIGH

BLADE Panel

1000MM H x 1700mm W

Satin Black finish

Order Code: **BLA-PNL-1700-1000-B**

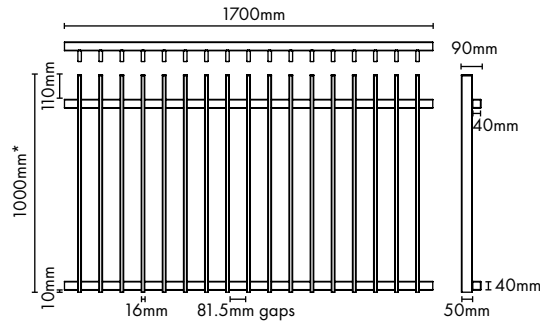
- 50mmx16mm RHS pickets face welded to 40x40x4mm horizontal rails
- 4 x weld points per picket
- Aluminium alloy 6061 T6
- 81.5mm gap spacing between pickets
- Aluminium caps pre-inserted into pickets
- Ideal for boundary fencing
- Panel easily cut down in width if required



FINISHES



BLACK



*4mm cap is inserted at top providing overall height of 1004mm

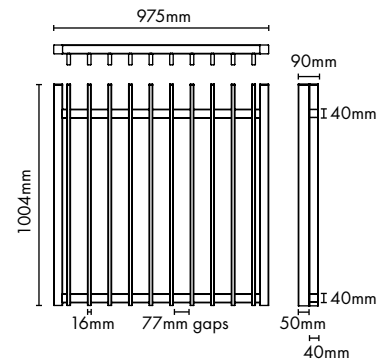
BLADE Gate

1000MM H x 975MM W

Satin Black finish

Order Code: **BLA-GATE-0975-1000-B**

- 50mmx16mm RHS pickets face welded to 40x40x2.4mm SHS frame (horizontal rails & side stiles)
- 4 x weld points per picket
- Aluminium alloy 6061 T6
- 77mm gap spacing between pickets
- Ideal for boundary fencing gate application
- Aluminium caps pre-inserted into pickets
- Plastic caps pre-inserted into side stiles



FINISHES



BLACK



POSTS & ACCESSORIES



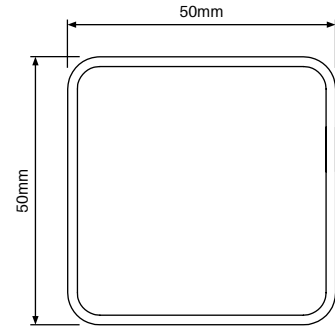
50x50mm core drill post

1800MM OR 2100MM H

Satin Black finish

Order Code: **SS-1800-B**
SS-2100-B

- 50mm x 50mm core drill post with anchor fin at bottom for sturdy embedment
- 1.8mm wall thickness
- Alloy 6063 - T6
- Black top cap included



FINISHES



BLACK



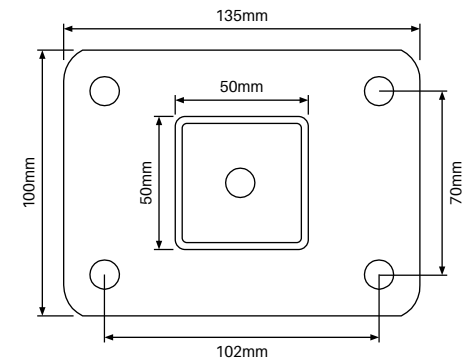
50x50mm base plated post

1300MM OR 1600MM H

Satin Black finish

Order Code: **SS-1300-BP-B**
SS-1600-BP-B

- 50mm x 50mm post with welded base plate (8mm thick base plate - 4x Ø11mm fixing holes)
- 1.8mm wall thickness
- Alloy 6063 - T6
- Black top cap included



FINISHES



BLACK



Two part domical cover

POWDER COATED ALUMINIUM

Satin Black finish

Order Code: **SS-DC-B**

- 2 part domical cover for base plated fence post
- Outer dimensions: 140mm L x 106mm H x 30mm H
- Suits 135x100mm base plate
- Can be fitted after fence installation

FINISHES



BLACK



50x50mm post dress ring

POWDER COATED ALUMINIUM

Satin Black finish

Order Code: **XP-DR-B**

- Suits 50x50mm core drill posts
- 100mm x 100mm outer - 52mm x 52mm inner

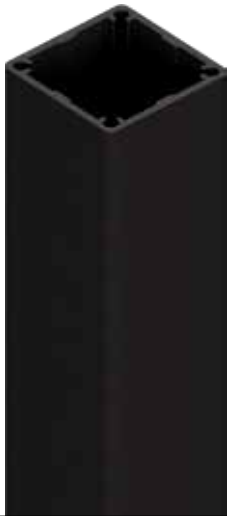
FINISHES



BLACK



POSTS & ACCESSORIES



HEAVY DUTY 50x50mm POST

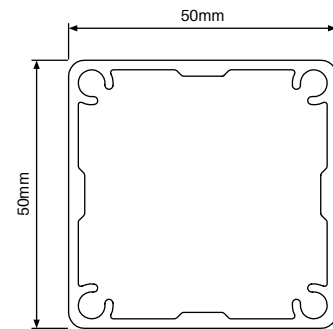
50x50mm full post

2400MM OR 6000MM H

Satin Black finish

Order Code: XP-2400-FP-B
XP-6000-FP-B

- Alloy 6063 - T6
- 1.8mm wall thickness with 3mm ribs
- Screw flutes to screw on base plate if required
- Provides extra strength compared to standard 1.8mm wall thickness tubular posts
- Free aluminium powder coated press-in top plate included with 2400mm post, caps sold separately for 6000mm long posts



FINISHES



BLACK

SUITS XP-2400/6000-FP-B

50x50mm post base plate set

POWDER COATED ALUMINIUM

Satin Black finish

Order Code: XP-BP-SET-B

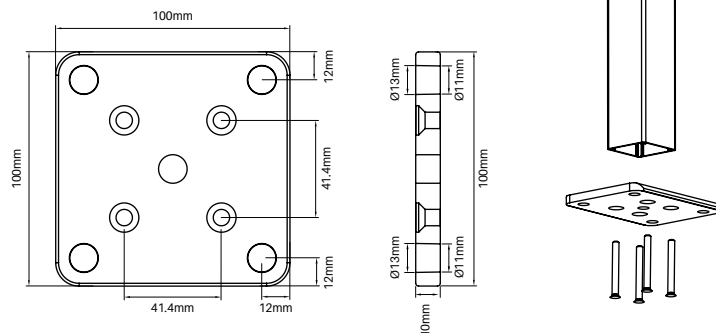
- Simply screw base plate onto core drill post
- Suits XP-2400/6000-FP posts only
- 4x 12G x 50mm long CSK screws included in set
- Suitable for pool fencing load requirements



FINISHES



BLACK



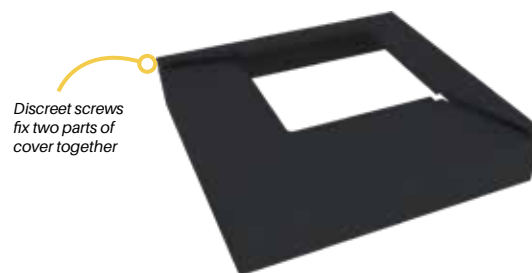
Two part domical cover

POWDER COATED ALUMINIUM

Satin Black finish

Order Code: XP-DC-2P-B

- 106x106mm outer - 52x52mm inner - Alloy ADC12
- Suits screw fixed base plated posts - does not suit welded 134x100mm base plated posts
- Cover can be fitted to posts after fence is installed



FINISHES



BLACK

50x50mm post flat top plate

POWDER COATED ALUMINIUM

Satin Black finish

Order Code: XP-TP-B

- Alloy ADC12 aluminium cap
- Press into post screw flutes for secure fixing
- 2400 long posts come with free top plate included - only purchase if extra top plates are required
- 6000mm long posts do not include top plates.



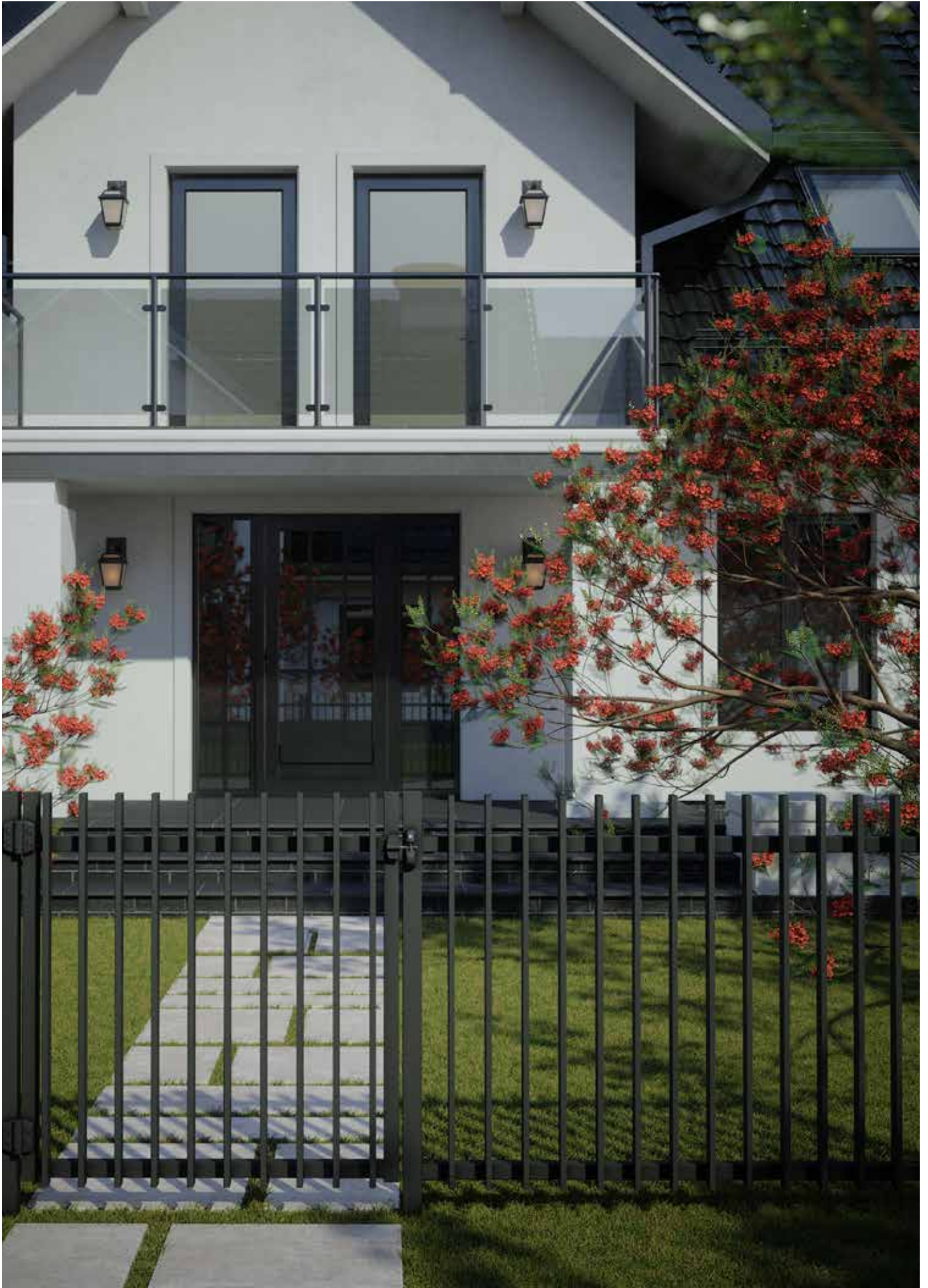
FINISHES



BLACK

TRADE TIP

65x65mm aluminium posts also available.





BLADE BALUSTRADE

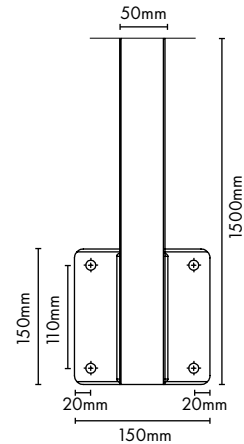
Mid face mount post

1500MM H

Satin Black finish

Order Code: AR-1500-FMID-B

- 1500mm long face mount MID post
- Heavy duty 50x50mm aluminium profile: 4mm wall post thickness
- 150x150mm welded on plate: 10mm thick
- 4 x 13mm diameter fixing holes
- Easily cut down height of post to required length
- Aluminium top plate included with post (top plates available separately if required (order code: XP-TP-B (black)))



FINISHES



BLACK



STEP 1

Install anchors ensuring alignment to post plate holes



STEP 2

Fix off with dome nuts if using threaded rod or lag screw anchors



STEP 3

Install BLADE panels & brackets



STEP 4

Finished installation

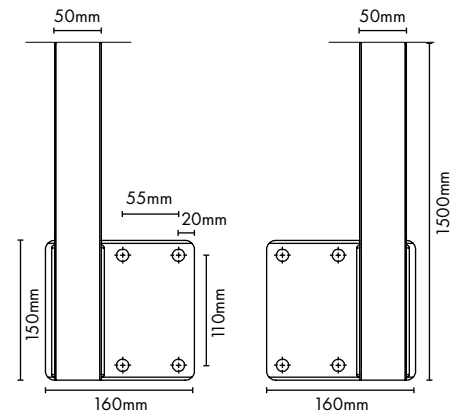
Face mount – 1 left & 1 right

1500MM H

Satin Black finish

Order Code: AR-1500-FMLR-B-2PK

- 1500mm long face mount END posts - LEFT & RIGHT
- Heavy duty 50x50mm aluminium profile: 4mm wall post thickness
- 160mmWx150Hmm welded on offset plates: 10mm thick
- 4 x 13mm diameter fixing holes
- Easily cut down height of post to required length
- Offset plates enable posts to be positioned at absolute ends of face mount installations
- Aluminium top plate included with post (top plates available separately if required (order code: XP-TP-B (black)))
- Sold as a 2 pack (left & right)



FINISHES

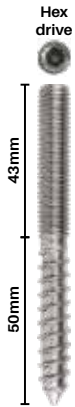


BLACK



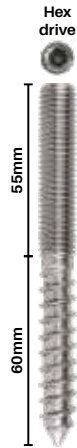
FENCING ACCESSORIES

M 12 FIXINGS



93mm lag screw

SS304
M12 thread
Order Code: **GS093LAG**



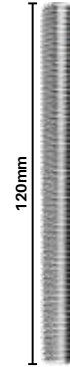
115mm lag screw

SS304
M12 thread
Order Code: **GS115LAG**



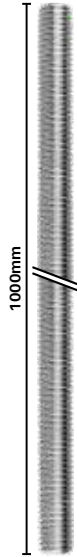
160mm lag screw

SS304
M12 thread
Order Code: **GS160LAG**



120mm threaded rod

SS304
M12 thread
Order Code: **GS120ROD**



1000mm threaded rod

SS304
M12 thread
Order Code: **GS1000ROD**

M12 dome nut

PACK OF 4 – SS316

Black or Silver finish

Order Code: **GS-DN-4PK-B (Black)**

GS-DN-4PK (Silver)

- 4x dome nuts & 4x split washers
- Suits M12 thread

IMPORTANT NOTE: M12 fixings suits 13mm hole diameter in FACE MOUNTED posts. Cannot be used for fixing of base plated posts (which have 11mm diameter holes in base plates).



FINISHES



MATT BLACK SILVER



BLADE FENCING

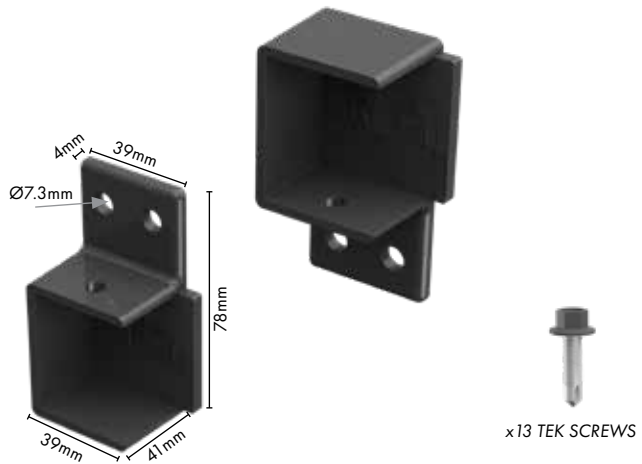
Aluminium Bracket

HORIZONTAL OPEN SIDE
4 PACK

Satin Black finish

Order Code: FF-BH-OPEN-4PK-B

- 3 sided opening suits 40x40mm rails - bracket can be pre-installed to post then install BLADE panel horizontal rails into bracket opening
- Brackets fit to inside face of posts
- The 'open' side of the bracket should face away from the pool (or house/property if using as a boundary fence)
- Sold as a 4 pack: 1 x bracket pack suits installation of 1 x panel
- Pack includes 13 x tek screws: suits screw fixing bracket to aluminium posts and also, fixing of panel to brackets



HOW TO



1 Position so that lip of bracket is placed to front edge of post. The 'open' side of the bracket typically faces outwards (ie towards the lawn if a pool fence, to the road if a boundary fence etc).



2 Affix brackets to post with tek screws.



3 Insert panel into open side of brackets and fix off rail to brackets.
TIP: If panel width adjusted ensure horizontal rails remaining past final pickets are equal both sides.



4 Complete.

Top Cap – Plastic

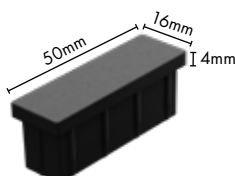
50x16x4MM

PLASTIC

Black finish

Order Code: BLA-TCP-B

- Press in black nylon cap
- Suits pickets in 1200mmH boundary fence panel
- Caps are sold as optional extra in case a cap in the panel is lost or damaged
- Cap is NOT suitable for the 1000mm high panels.



FINISHES



BLACK

Top Cap – Aluminium

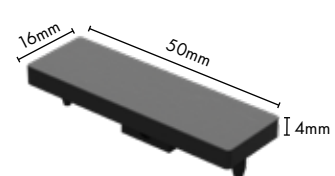
50x16x4MM

ALUMINIUM POWDER COAT

Satin Black finish

Order Code: BLA-TCA-B

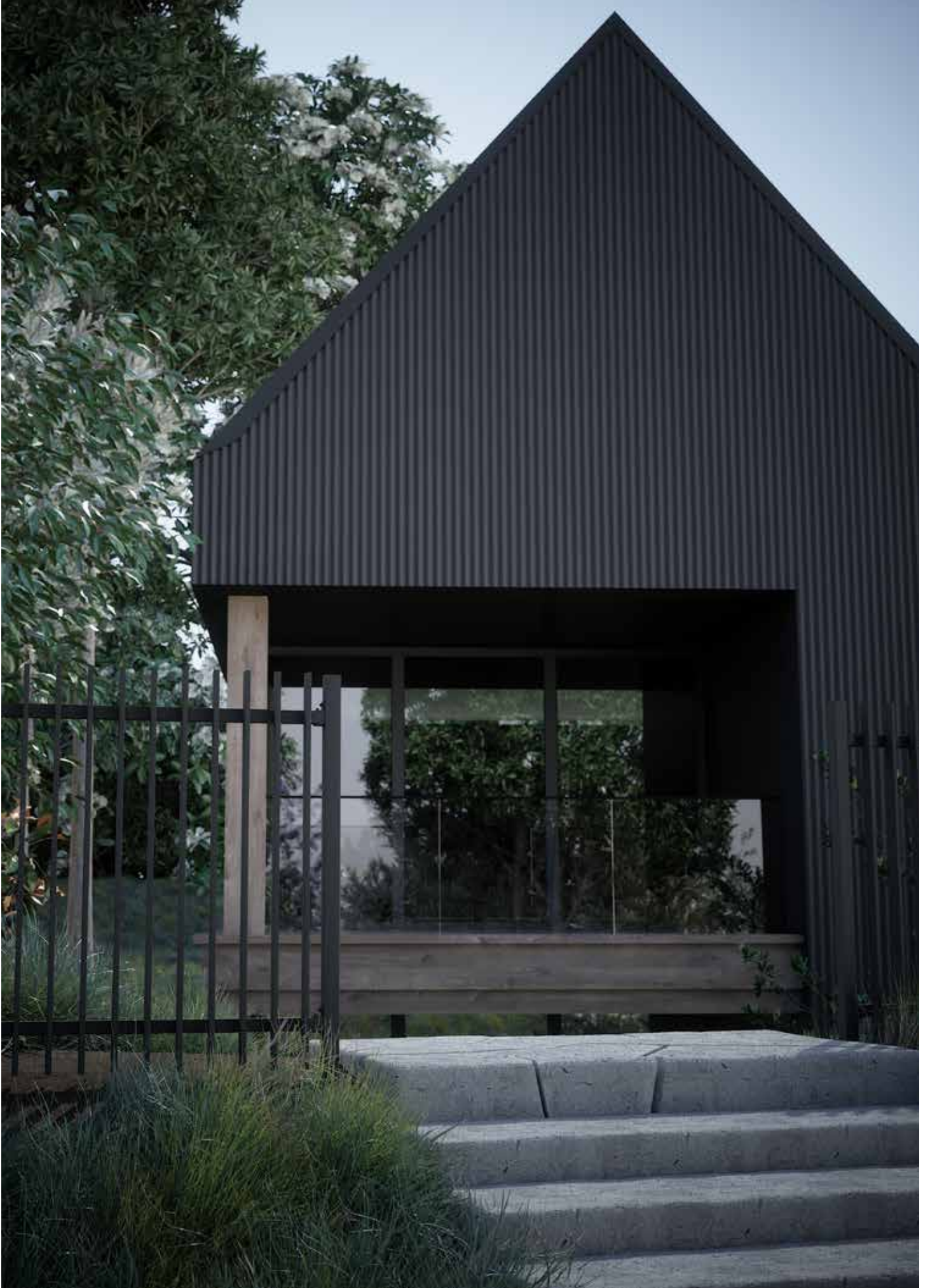
- CNC finish aluminium powder coated
- Suits pickets in 1000mmH boundary fence panel
- Caps are sold as optional extra in case a cap in the panel is lost or damaged
- Cap is NOT suitable for the 1200mm high fence panels.



FINISHES



BLACK

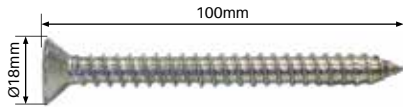




EXTRAS & ACCESSORIES

WE OFFER A RANGE OF STAINLESS STEEL 316 M10 FIXINGS

M10 FIXINGS



Counter sunk timber screw – 4 pack

100MM LONG – SS316

(Hex head drive)

Order Code: **CSK-100-4PK**

- Heavy duty self tapping screw for fixing timber – 100mm long with M10 thread – Ø18mm outer head
- Hex head drive
- Countersunk head allows for flush fitting of aluminium base plates
- Pack of 4

M10 dome nut

PACK OF 4 – SS316

Order Code: **S-M10DN-4PK**

- 4 x dome nuts & split washers
- Suits M10 thread

Tip: if M10 fixing kit used, discard standard nuts from kit and replace with dome nuts



M10 Timber fixing kit

4 PACK – SS316

Order Code: **S-110LAG-4PK**

- M10 x 110mm timber lag screws x4 with nuts and washers
- Pack of 4



M10 Concrete fixing kit

4 PACK – SS316

Order Code: **S-120ROD-4PK**

- M10 x 120mm concrete threaded rods x4 with nuts and washers
- Pack of 4



Self drilling tek screws

12Gx20mm – BAG OF 100

Order Code: **SS-TS-100-B (Black)**

- Self drilling tek screw featuring integrated thread and drill/cutting tip
- 12G x 20mm tek screw with hex head
- Used in a variety of aluminium fencing applications
- Packed in convenient bags of 100 screws
- Thread and tip not powder coated to ensure proper threading/cutting



Soudal heavy duty cartridge gun

Order Code: **SOUD-GUN**

- Heavy duty, steel trade quality cartridge gun
- Geared ratio 18:1 for smooth operation and easy application
- Dripless system feature automatically releases pressure to reduce mess/waste
- Suits 300ml silicone cartridges and 280ml chemical anchor



Soudafix CA1400 Chemical anchor

280mL

Order Code: **SOUD-CA1400**

- High performance, two-component chemical anchoring resin for the pressure-free securing of anchoring rods, studs, threaded collars etc
- Easy to use and apply
- Fast cure (20°C=45min full cure; 30°C=25min full cure)
- Vinyl ester styrene free
- Can be used in damp concrete
- Apply with standard caulking gun





POSTS & ACCESSORIES



Flat top cap

Black polypropylene finish

Order Code: **SS-TC**

- Suits 50x50mm fencing posts (codes: SS-1800/2100-B and SS-1300/1600-BP-B)
- Internal fit top cap
- Black polypropylene



Domed top cap

Black polypropylene finish

Order Code: **SS-TD**

- Suits 50x50mm tubular fencing posts (codes: SS-1800/2100-B & SS-1300/1600-BP-B)
- Internal fit top cap
- Black polypropylene
- Stylish upgrade to standard flat caps



External fit top cap

Black nylon finish

Order Code: **SS-TD-EXT-B**

- Suits 50x50mm fencing posts
- External press on fit
- Useful to hide top of post if cut is not neat

Horseshoe Packers

Black finish

Order Code:

HSP-75X38-1MM-20PK

1mm thick

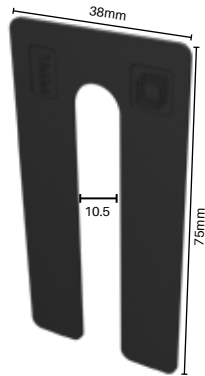
HSP-75X38-3MM-20PK

3mm thick

HSP-75X38-10MM-5PK

10mm thick

- 38mm wide x 75mm long horseshoe packers
- 10.5mm slot
- Available in 1mm or 3mm thick (20 per pack)
- Also available 10mm thick (5 per pack)
- Durable black solid polypropylene
- Handy for levelling adjustments while installing
- Easy to cut down to required length



Available 1mm,
3mm or
10mm thick

Touch up paint

150g SPRAY CAN

Black

Order Code:

PAINT-B

- Colour match touch up paint
- Simply spray on for minor touch ups



CPR sign

Order Code: **CPR**

- Genuine royal life saving society - Australia resuscitation chart
- Plastic coated for durability



KWIKSET concrete

20kg bag

Order Code: **GROUT-KWIKSET**

Perth only



Polaris grout

20kg bucket

Order Code:

GROUT-POL-BUCKET

- Non shrink grout
- Rapid setting
- Aggregate free



Bostik HES grout

20kg bag

Order Code: **GROUT-BOS**

- Non shrink grout
- High early strength



Sika HES grout

20kg bag

Order Code: **GROUT-SIKA**

- Non shrink grout
- High early strength



Rapid set concrete

20kg bag

Order Code: **GROUT-RSC**

- For Perth depot, refer code GROUT-KWIKSET
- Specially formulated to harden rapidly
- Just add water



Concrete mix

20kg bag

Order Code:

GROUT-CONCRETE

- Quality blend of GP cement, aggregate & sand - just add water
- Ideal for high strength concreting of posts



EXTRAS & ACCESSORIES

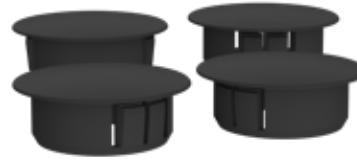
Post plugs

4 PACK

Black finish

Order code: **SS-POSTPLUG-4PK**

- Ø32mm outer top suits 25mm hole
- Ideal for covering hole in post when affixing post to wall with inner fixing
- Suits post wall thickness 1.5mm - 3.2mm



1 Drill a 25mm diameter hole through front wall of post



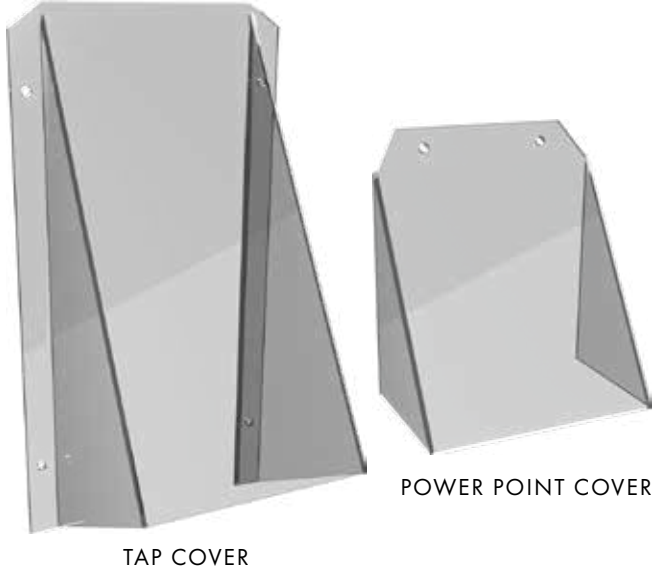
2 Drill rear wall of post with required diameter for fixing and then fix post to wall. Insert appropriate fixing into the wall for affixing post



3 Once post is fixed to wall with appropriate fixing method, insert post plug to cover the post hole



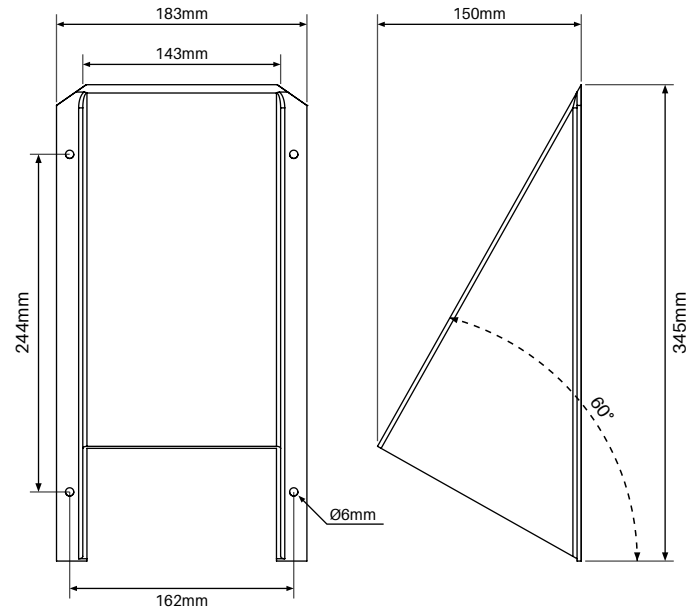
4 Repeat the process as required



TAP COVER

POWER POINT COVER

TAP COVER SPECIFICATION



Toe hold prevention covers

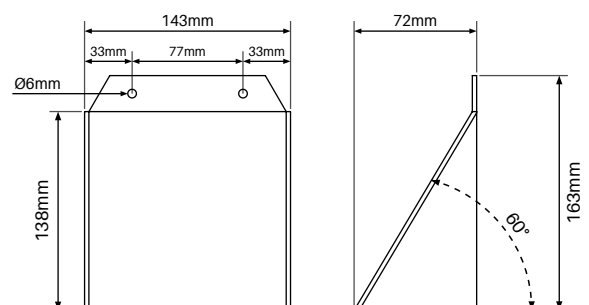
THERMOPLASTIC

Transparent finish

Order Code: **COVER-POWER (Power point cover)**
COVER-TAP (Tap cover)

- Transparent thermoplastic
- Cover features 60 degree angle to prevent a toe hold
- Ideal solution if tap or power point considered a step point
- Resistant to impact & chemicals
- Power point cover comes with 2 x predrilled fixing hole
Includes 2 x SS316 screws (ST5x40mm) & 2 x wall plugs
- Tap cover comes with 4 x predrilled fixing hole
Includes 4 x SS316 screws (ST5x40mm) & 4 x wall plugs

POWER POINT COVER SPECIFICATION







GATE HINGES & KITS

19mm
gap spacing

No
alignment legs

(variable spacing achievable)



TruClose® hinge pair

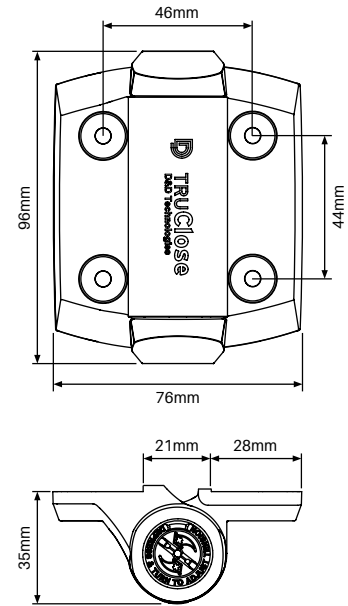
NO ALIGNMENT LEGS

Order Code: TC-H-AT-B (Pair)

BB-TC-H-AT-B (*Bulk buy)

D&D code: TCA1S3BT

- D&D patented tension adjustment
- Strong, moulded polymer and stainless steel
- Adjust tension from both ends of the hinge
- No visible fixings
- Decorative trim covers available in black finish
- Super strong engineering polymers and stainless steel components
- Won't rust, bind, sag or stain
- Limited lifetime warranty
- Pool fencing compliant - Rated for gates up to 30kg



Certi cap – Series 3

Order Code: TC-CAPS3

D&D code: TCACAPS3

- Prevents toe hold on hinge
- Durable polymer material

No alignment legs on hinge allows for flexibility when positioning gate onto post

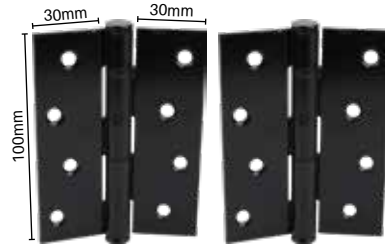
*BULK BUY CARTON QTY: 20 PAIRS

Butt hinge pair

100MM H x 75MM W

Order Code: SS-BH10075-B

- Cost effective where self closing hinge is not required
- Zinc plated steel
- Powder coated black
- Multiple fixing points - Ø6mm holes



Not pool fencing compliant



Magna Latch® with Tru Close® hinge pair

ADJUSTABLE TENSION

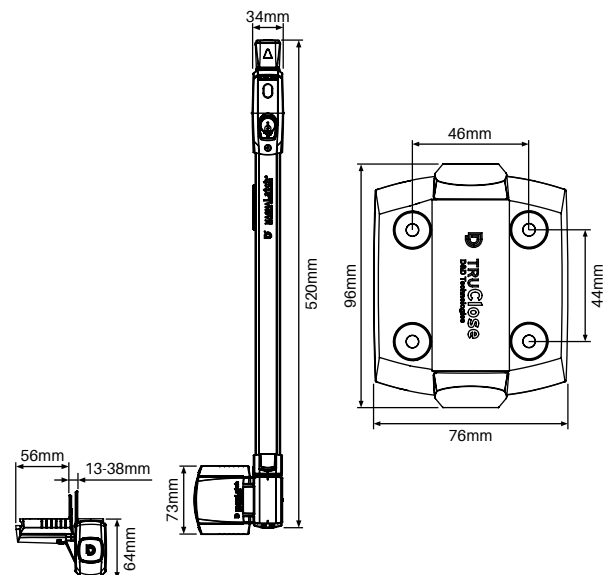
Order Code: ML-TL-TC-H-AT (Single)

BB-ML-TL-TC-H-AT (Bulk buy)

D&D code: MTSTDKS3LA

- Kit includes D&D top pull Magna latch and 2x TRU close hinges
- Patented tension adjustable hinges (TC-H-AT-B version hinges - no alignment legs on hinges provides for flexible installation)
- Pool fencing compliant - Rated to 30kg self close
- Magnetically triggered lockable latch

*BULK BUY CARTON QTY: 15 KITS



POLARIS 156 SOFT CLOSE HINGE

Overview

The Polaris 156 series hinge's adaptive design allows for multiple fixing points through the gate, its frame and/or post, making it adaptable to literally any hinged gate assembly.

The 156 series also features interchangeable dampers to switch out for various dampening setups. The hinge is constructed out of 2205 Duplex Stainless Steel and high quality plastic covers which are made to handle the harsh outdoors.

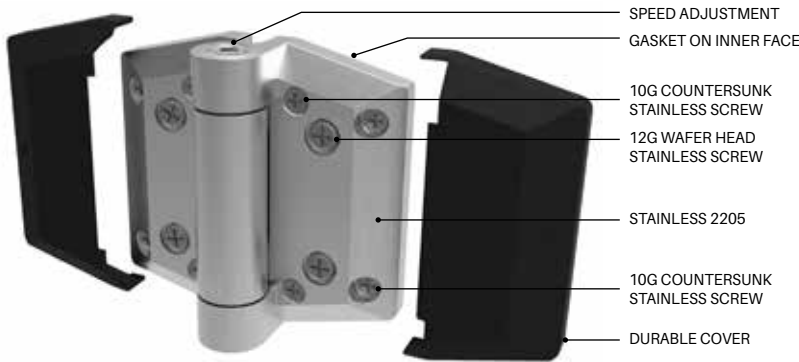
Featuring the "QUIK-ADJUST" Ratchet cap for simple speed adjustment and interchangeable dampers for a customised closing force.

Polaris 156 Hinge

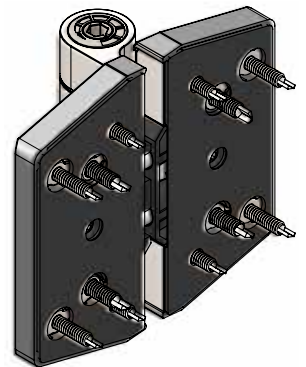
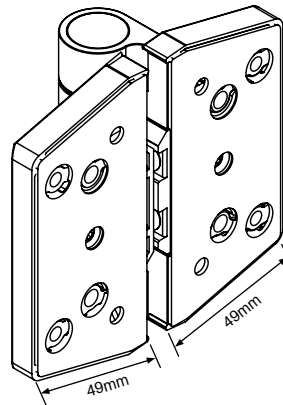
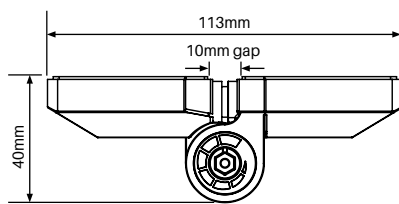
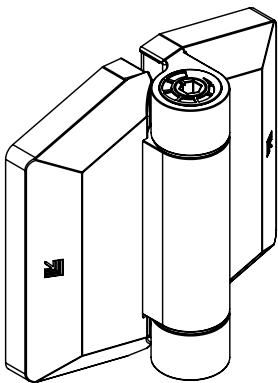
SURFACE MOUNT – PAIR OF 2

Order Code: **PSC-FM156**

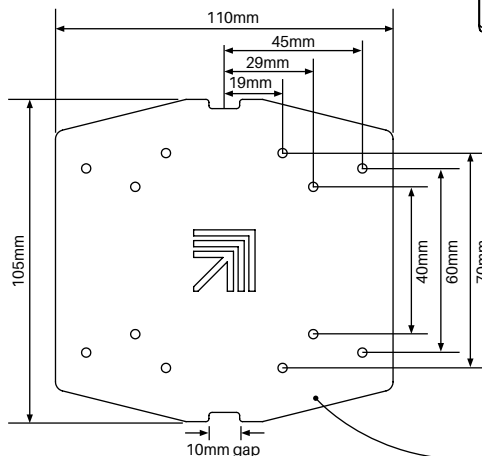
- Surface mount soft close hinge
- 6 x fixing points per side: use 2 or more fixings holes as needed to suit install situation.
- Black polycarbonate ABS blend covers included which hide screw fixings
- Spray paint covers any colour using acrylic spray paint
- Features patented Polaris soft close function
- Pool fencing compliant self closing hinge with easy ratchet adjustment of closing speed
- Screw fixings included
- Fixing template included in each box
- Self closing gates up to 45kg per pair



USE ACRYLIC SPRAY PAINT FOR EASY COLOUR CHANGE!



*Up to 6 X fixing positions per side



TEMPLATE INCLUDED DETAILING EXACT FIXING HOLES POSSIBLE FOR EASY MARKING OUT



GATE LATCHES

13-38mm
gap spacing



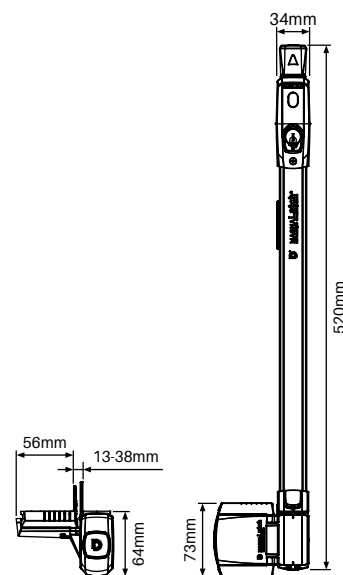
Top pull lockable latch

Order Code: **ML-TL (Single)**
BB-ML-TL (*Bulk buy)

D&D code: ML3TPLA

- Magnetically triggered lockable latch
- Improved stylish "Series 3" design
- Adjusts horizontally and vertically
- Includes adjustable striker plate
- D&D Limited lifetime warranty
- Quick and easy installation
- Tested to over 400,000 cycles

*BULK BUY CARTON QTY: 15PCS



8-10mm
gap spacing



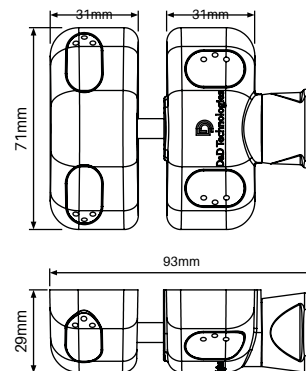
Face mount lockable latch

Order Code: **MR-FMLSL (Single)**
BB-MR-FMLSL (*Bulk buy)

D&D code: MLSPS2L

- Key lockable
- Adjusts horizontally and vertically
- Limited lifetime warranty
- Black polymer

*BULK BUY CARTON QTY: 10PCS



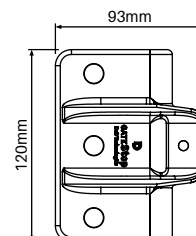
D&D Gate stop

Black polymer finish

Order Code: **SS-GS**

D&D code: TCGS3

- Ideal gate alignment device
- Prevents damage to latches & hinges
- Greatly reduces gate-slam noise
- Tough, durable polymer + rubber bumper





GATE LATCHES

10-45mm
gap spacing

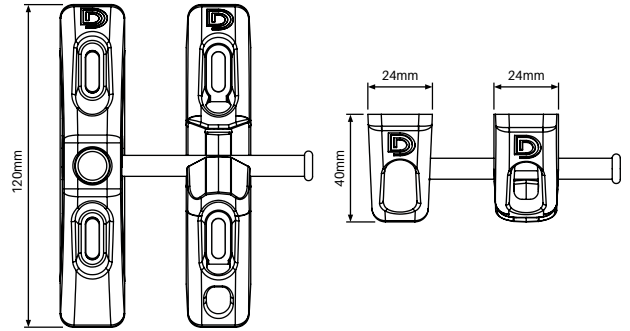


D D&D Technologies®
World's most trusted gate hardware

T latch

Order Code: T-L (Single)
BB-T-L (*Bulk buy)

- D&D code: TL01
- Padlockable toggle latch
 - Lockable from one side only



Not pool fencing compliant

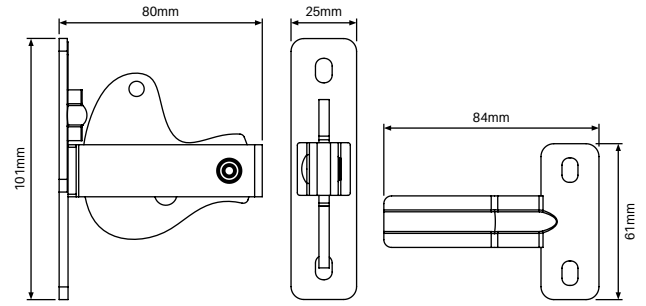
*BULK BUY CARTON QTY: 20PCS

10-35mm
gap spacing

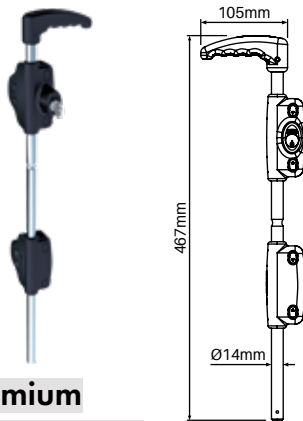


D latch

- Order Code: SS-DL-B
- Easy to install D latch and striker
 - Includes 4x tek screws
 - Cost effective latching solution



Not pool fencing compliant



D&D Premium lockable drop bolt

Black finish

Order Code: LB-PL

D&D code: LL118BX-LA

- 316 marine-grade stainless steel drop-rod
- Tough polymer-housing mounting system
- 6-pin lock (rekeyable to match doors & gate locks)



D&D Padlockable drop bolt

Black finish

Order Code: QB124

D&D code: QB124

- Powder coated black, stainless steel drop-bolt
- Padlockable (*Padlock not included)
- Tough, moulded polymer mounting system



Drop bolt

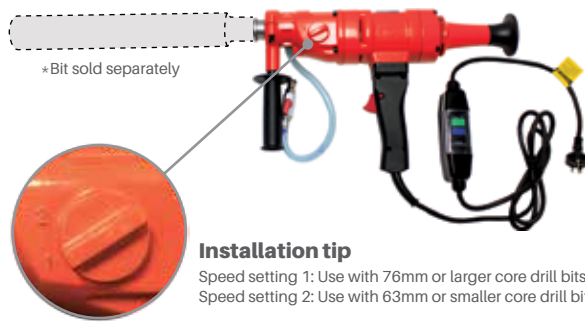
Black or zinc plated finish

Order Code: SS-0300DB-B/ZP

- Ideal for driveway gates
- Cost effective drop bolt
- Easy to install
- 300mm long



DIAMOND REVOLUTION DRILL



Installation tip

Speed setting 1: Use with 76mm or larger core drill bits
Speed setting 2: Use with 63mm or smaller core drill bits



Diamond revolution stand

Suits diamond revolution core drill

Order Code: REV-STAND

- Steel and aluminium construction
- Height: 800mm
- Base: 330mm x 380mm
- Weight: 12.6kg

Diamond revolution drill

Core drill

Order Code: REV-CD-2S

- 2 speed core drill - 1500W
- Comes with case, allen key, spare set of brushes and manual
- Safety switch
- Uses common size 1 1/4" UNC male thread for diamond core bits

TECHNICAL DATA

Voltage: 240V
Rated frequency: 50-60Hz
Rated input power: 1500W
No load speed r/min: 2100/950
Weight: 8.8kg



Core drill template

Order Code: REV-TEMPLATE

- Assists with starting to core drill hole
- Stabilises the drill bit from jumping



Spirit level for core drill

Order Code: REV-LEVEL

- Screws into core drill machine
- Assists with drilling accurate holes



Splash guard/ water trap

Order Code: REV-GUARD



Base for stand

Order Code: REV-BASE

- 550mm x 550mm overall dimensions

Core drill bits Mild steel body & diamond impregnated crown tip



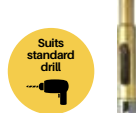
8mm mini core drill bit

Order Code: REV-BIT-08



10mm mini core drill bit

Order Code: REV-BIT-10



12mm mini core drill bit

Order Code: REV-BIT-12



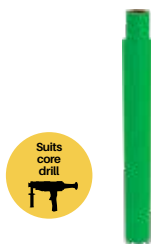
14mm mini core drill bit

Order Code: REV-BIT-14



20mm mini core drill bit

Order Code: REV-BIT-20



53mm core drill bit

53mm x 450mm long
Order Code: REV-BIT-53



63mm core drill bit

63mm x 450mm long
Order Code: REV-BIT-63



76mm core drill bit

76mm x 450mm long
Order Code: REV-BIT-76



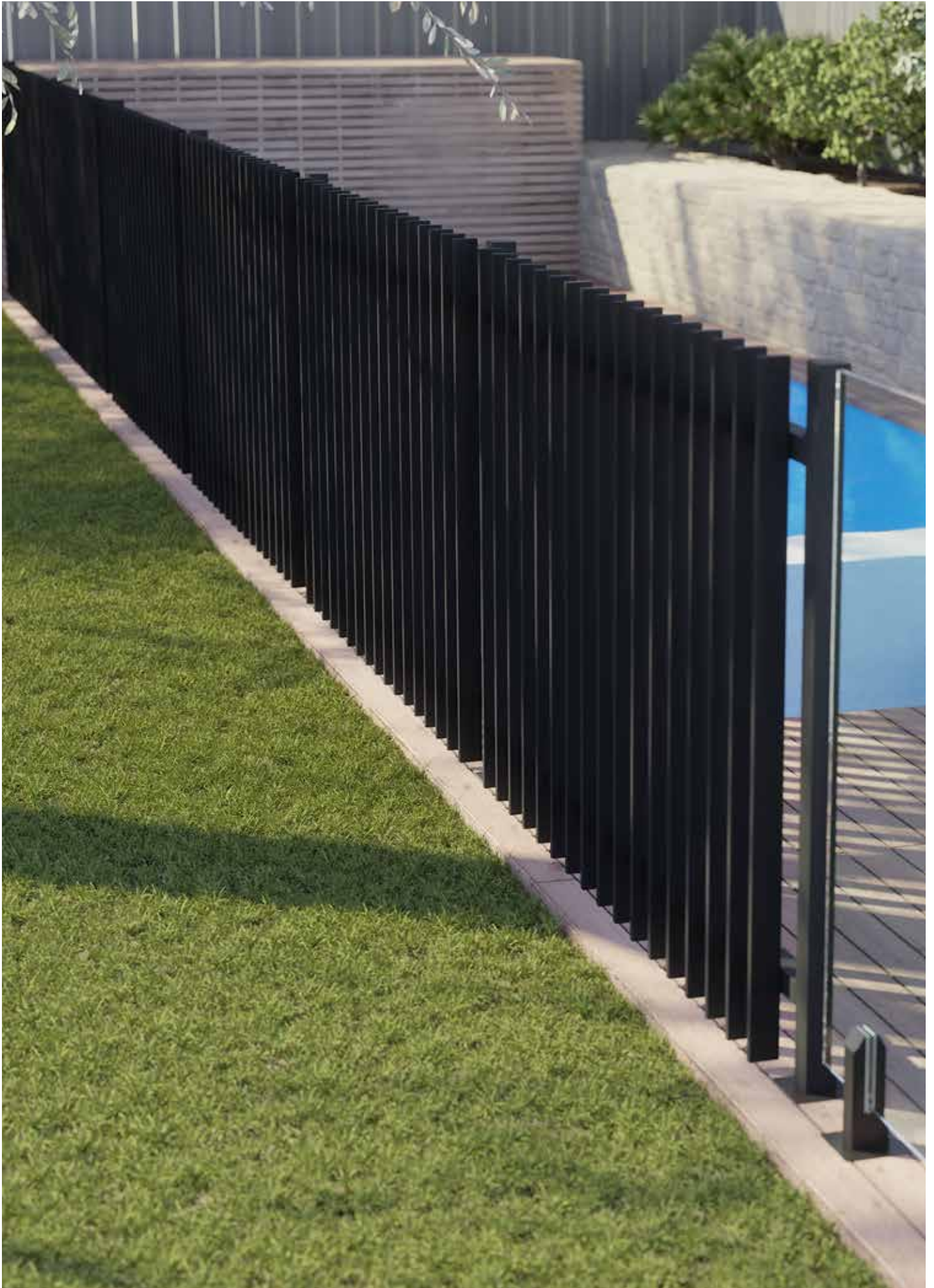
83mm core drill bit

83mm x 450mm long
Order Code: REV-BIT-83



89mm core drill bit

89mm x 450mm long
Order Code: REV-BIT-89





Errors and omissions excepted. Measurements and drawings are provided as a guide only and should not be relied upon solely for installation purposes.

Product codes, products and prices may change at GO's discretion as systems are constantly reviewed and updated. Please contact GO if you require clarification of product codes, pricing or product stocking.

Due to each installation situation being different, it is the installer's responsibility to seek engineering compliance and/or certification should it be required as part of a project, regulatory or statutory requirement.

As each installation site is different, it is the installer's responsibility to consider the impact of wind loads on the design of a fence. Please consult your engineer for site specific matters relating to wind loads.

Colours displayed in PDF's or printed documents are indicative only and should not be relied on as a true representation of actual powder coat colour. All products should adhere to a suitable care and maintenance schedule.

©Copyright 2024. This catalogue is the copyright of GO and cannot be reproduced, copied or replicated without the prior written consent of GO. Such consent applies to images as well as text.

BLADE FENCING CATALOGUE VERSION 1